

CT 60 60 Hz

Peripheral Pumps
with turbine impeller



Materials (wetted parts)

Components	Materials
Pump casing	Cast iron GJL 200 EN 1561
Casing cover motor side	Brass P- Cu Zn Pb 2 UNI 5705
Impeller	Brass P- Cu Zn Pb 2 UNI 5705
Shaft	Chrome steel AISI 430
Mechanical seal	Carbon - Ceramic - NBR

Construction

Close-coupled peripheral pump (regenerative pump) with turbine impeller.
Compact, patented construction with single-piece motor casing and pump-side wall.
Protected against water entering the motor from outside.

Applications

For clean liquids without abrasives, without suspended solids, non-explosive, non-aggressive for the pump materials.
For increasing network pressure (follow local specifications).
For the reduced dimensions, these pumps are very well suitable to be mounted in cooling and air-conditioning machines and equipments, circulation.

Operating conditions

Liquid temperature up to 60 °C.
Ambient temperature up to 40 °C.
Total suction lift up to 7 m.
Continuous duty.

Motor

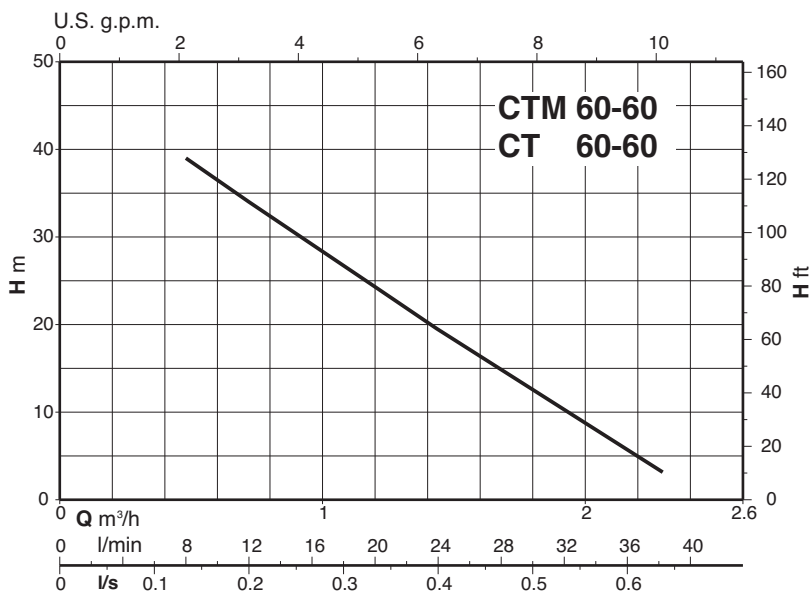
2-pole induction motor, 60 Hz (n = 3450 rpm).
CT 60: three-phase 220/380 V.
CTM 60: single-phase 220 V, with thermal protector.
Capacitor inside the terminal box.
Insulation class F.
Protection IP 54.
Constructed in accordance with: EN 60034-1; EN 60034-30.
EN 60335-1, EN 60335-2-41.

Special features on request

- Other voltages.
- Special mechanical seal

19

Coverage chart n = 3450 rpm



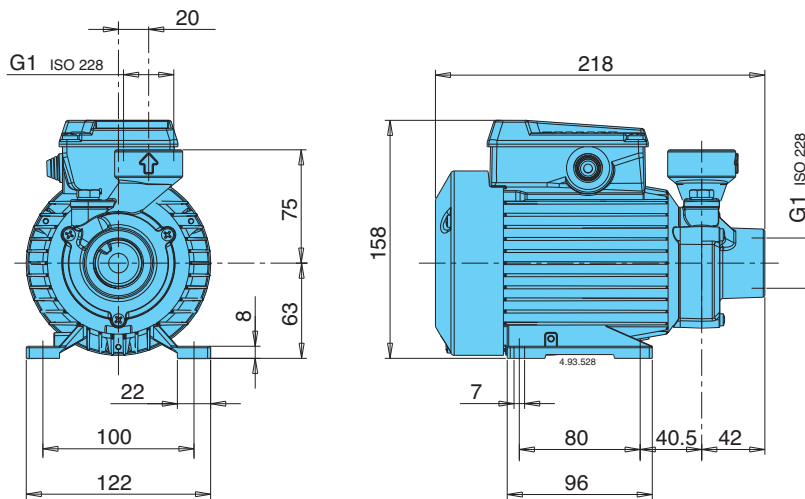
Performance $n \approx 3450$ rpm

3~	220V		380V	IA/IN	1~	220V		P ₂		Q m ³ /h l/min	0,5	0,6	0,75	0,96	1,2	1,5	1,89	2,3
	A	A				A	IA/IN	kW	HP		8,3	10	12,5	16	20	25	31,5	38
CT 60-60	2,3	1,3	3,2	CTM 60-60	3,1	2,5	0,33	0,45	H	39	36	33	29	24	18	12	3	

IA/IN = D.O.L. starting current / Rated current P₂ Rated motor power output.

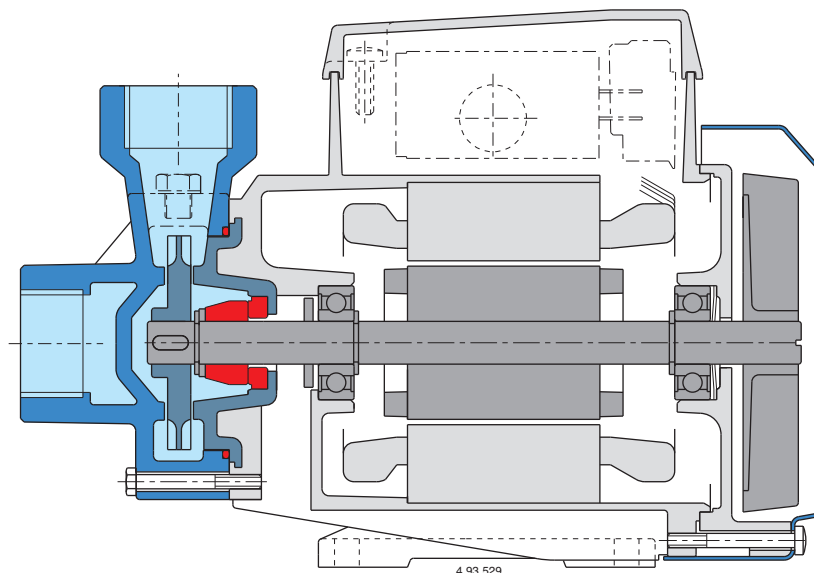
H Total head in m. Tolerances according to ISO 9906, annex A.

Dimensions and weights



CT 60-60 4,6 kg
CTM 60-60 4,7 kg

Features



CT 61 60 HzPeripheral Pumps
with turbine impeller**Construction**

Close-coupled peripheral pump (regenerative pump) with turbine impeller. Compact, patented construction with single-piece motor casing and pump-side wall. Protected against water entering the motor from outside.

CT: version with pump casing in cast iron.
B-CT: version with pump casing in bronze
(the pumps are supplied fully painted).

Applications

For clean liquids without abrasives, without suspended solids, non-explosive, non-aggressive for the pump materials. For increasing network pressure (follow local specifications). For the reduced dimensions, these pumps are very well suitable to be mounted in cooling and air-conditioning machines and equipments, circulation.

Operating conditions

Liquid temperature up to 60° C.
Ambient temperature up to 40° C.
Total suction lift up to 7 m.
Continuous duty.

Materiales (wetted parts)**CT 61**

Components	Material
Pump casing	Cast iron GJL 200 EN 1561
Pump-side motor wall	Brass P- Cu Zn Pb 2 UNI 5705
Impeller	Brass P- Cu Zn Pb 2 UNI 5705
Shaft	Chrome-nickel steel AISI 430
Mechanical seal	Carbon - Ceramic - NBR

B-CT 61

Components	Material
Pump casing	Bronze G-Cu Sn 10 EN 1982
Pump-side motor wall	Brass P- Cu Zn Pb 2 UNI 5705
Impeller	Brass P- Cu Zn Pb 2 UNI 5705
Shaft	Chrome-nickel steel AISI 430
Mechanical seal	Carbon - Ceramic - NBR

Motor

2-pole induction motor, 60 Hz (n = 3450 rpm).

CT 61: three-phase 220/380 V.

CTM 61: single-phase 220 V, with thermal protector.
Capacitor inside the terminal box.

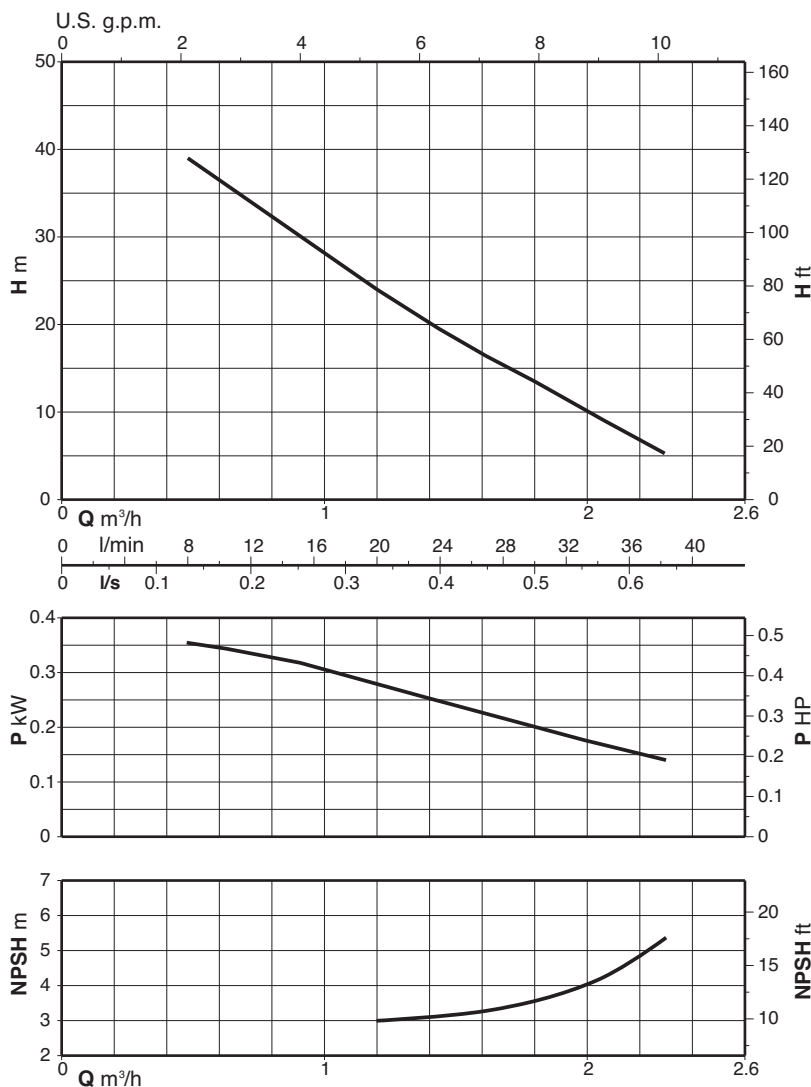
Insulation class F.

Protection IP 54.

Constructed in accordance with: (EN 60335-1)

Special features on request

- Other voltages.
- Special mechanical seal

Coverage chart n = 3450 rpm

Performance n = 3450 1/min

3~	220V		380V	1~	220V		Q		m³/h l/min	0,5	0,6	0,75	0,96	1,2	1,5	1,89	2,3
	A	A	IA/IN		A	IA/IN	P ₂ kW	HP		8,3	10	12,5	16	20	25	31,5	38
CT 61-60	2,3	1,3	3,2	CTM 61-60	3,1	2,5	0,33	0,45	H	39	36	33	29	24	18	12	5
B-CT 61-60	2,3	1,3	3,2	B-CTM 61-60	3,1	2,5	0,33	0,45	H	39	36	33	29	24	18	12	5

IA/IN = D.O.L. starting current / Rated current

P₂ Rated motor power output.

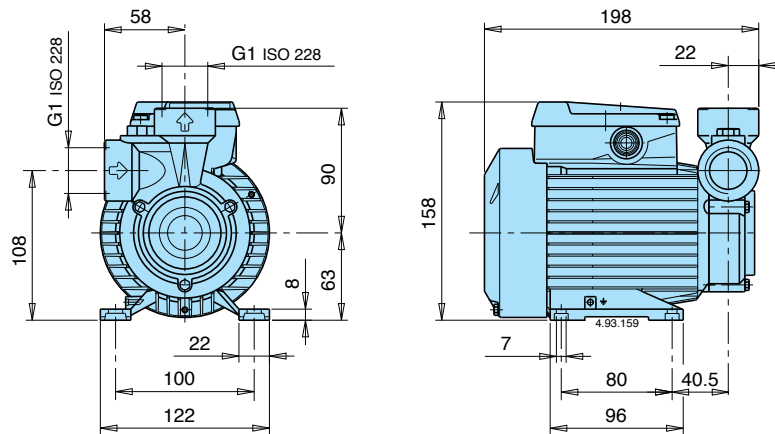
B-CT = Bronze construction.

H Total head in m.

Tolerances according to ISO 9906, annex A.

Dimensions and weights

- CT 61-60 4,6 kg
- CTM 61-60 4,7 kg
- B-CT 61-60 4,9 kg
- B-CTM 61-60 5 kg



Features

